

5211

Two Channel Microphone Preamplifier with SILK



Operations Manual

Important Safety Instructions

1. Read these instructions.
2. Keep these instructions.
3. Heed all warnings.
4. Follow all instructions.
5. Do not use this apparatus near water.
6. Clean only with a dry cloth.
7. Do not block any ventilation openings. Install in accordance with the manufacturer's instructions.
8. Do not install near any heat sources such as radiators, heat registers, stoves, or other apparatus (including amplifiers) that produce heat.
9. Do not defeat the safety purpose of the polarized or grounding-type plug. A polarized plug has two blades with one wider than the other. A grounding-type plug has two blades and a third grounding prong. The wide blade or the third prong are provided for your safety. If the provided plug does not fit into your outlet, consult an electrician for replacement of the obsolete outlet.
10. Protect the power cord from being walked on or pinched particularly at plugs, convenience receptacles, and the point where they exit from the apparatus.
11. Only use attachments/accessories specified by the manufacturer.
12. Use only with a cart, stand, tripod, bracket, or table specified by the manufacturer, or sold with the apparatus. When a cart is used, use caution when moving the cart/apparatus combination to avoid injury from tip-over.
13. Unplug this apparatus during lightning storms or when unused for long periods of time.
14. Refer all servicing to qualified service personnel. Servicing is required when the apparatus has been damaged in any way, such as power-supply cord or plug is damaged, liquid has been spilled or objects have fallen into the apparatus, the apparatus has been exposed to rain or moisture, does not operate normally, or has been dropped.
15. This apparatus shall not be exposed to dripping or splashing, and no object filled with liquids, such as vases or beer glasses, shall be placed on the apparatus.
16. Do not overload wall outlets and extension cords as this can result in a risk of fire or electric shock.
17. This apparatus has been designed with Class-I construction and must be connected to a mains socket outlet with a protective earthing connection (the third grounding prong).
18. This apparatus has been equipped with a rocker-style AC mains power switch. This switch is located on the rear panel and should remain readily accessible to the user.
19. The MAINS plug or an appliance coupler is used as the disconnect device, so the disconnect device shall remain readily operable.



20. NOTE: This equipment has been tested and found to comply with the limits for a Class B digital device, pursuant to part 15 of the FCC Rules. These limits are designed to provide reasonable protection against harmful interference in a residential installation. This equipment generates, uses, and can radiate radio frequency energy and, if not installed and used in accordance with the instructions, may cause harmful interference to radio communications. However, there is no guarantee that interference will not occur in a particular installation. If this equipment does cause harmful interference to radio or television reception, which can be determined by turning the equipment off and on, the user is encouraged to try to correct the interference by one or more of the following measures:

- Reorient or relocate the receiving antenna.
- Increase the separation between the equipment and the receiver.
- Connect the equipment into an outlet on a circuit different from that to which the receiver is connected.
- Consult the dealer or an experienced radio/TV technician for help.

CAUTION: Changes or modifications to this device not expressly approved by Rupert Neve Designs LLC, could void the user's authority to operate the equipment under FCC rules.

21. This apparatus does not exceed the Class A/Class B (whichever is applicable) limits for radio noise emissions from digital apparatus as set out in the radio interference regulations of the Canadian Department of Communications.

ATTENTION — *Le présent appareil numérique n'émet pas de bruits radioélectriques dépassant les limites applicables aux appareils numériques de class A/de class B (selon le cas) prescrites dans le règlement sur le brouillage radioélectrique édicté par les ministere des communications du Canada.*

22. Exposure to extremely high noise levels may cause permanent hearing loss. Individuals vary considerably in susceptibility to noise-induced hearing loss, but nearly everyone will lose some hearing if exposed to sufficiently intense noise for a period of time. The U.S. Government's Occupational Safety and Health Administration (OSHA) has specified the permissible noise level exposures shown in the following chart. According to OSHA, any exposure in excess of these permissible limits could result in some hearing loss. To ensure against potentially dangerous exposure to high sound pressure levels, it is recommended that all persons exposed to equipment capable of producing high sound pressure levels use hearing protectors while the equipment is in operation. Ear plugs or protectors in the ear canals or over the ears must be worn when operating the equipment in order to prevent permanent hearing loss if exposure is in excess of the limits set forth here:

	CAUTION AVIS	
RISK OF ELECTRIC SHOCK. DO NOT OPEN RISQUE DE CHOC ELECTRIQUE. NE PAS OUVRIR		
CAUTION: TO REDUCE THE RISK OF ELECTRIC SHOCK DO NOT REMOVE COVER (OR BACK) NO USER SERVICEABLE PARTS INSIDE. REFER SERVICING TO QUALIFIED PERSONNEL		
ATTENTION: POUR EVITER LES RISQUES DE CHOC ELECTRIQUE, NE PAS ENLEVER LE COUVERCLE. AUCUN ENTRETIEN DE PIECES INTERIEURES PAR L'USAGER. CONFIER L'ENTRETIEN AU PERSONNEL QUALIFIE.		
AVIS: POUR EVITER LES RISQUES D'INCENDIE OU D'ELECTROCUTION, NE EXPOSEZ PAS CET ARTICLE A LA PLUIE OU A L'HUMIDITE		

The lightning flash with arrowhead symbol within an equilateral triangle is intended to alert the user to the presence of uninsulated "dangerous voltage" within the product's enclosure, that may be of sufficient magnitude to constitute a risk of electric shock to persons.
Le symbole éclair avec point de flèche à l'intérieur d'un triangle équilatéral est utilisé pour alerter l'utilisateur de la présence à l'intérieur du coffret de "voltage dangereux" non isolé d'ampleur suffisante pour constituer un risque d'électrocution.

The exclamation point within an equilateral triangle is intended to alert the user of the presence of important operating and maintenance (servicing) instructions in the literature accompanying the appliance.
Le point d'exclamation à l'intérieur d'un triangle équilatéral est employé pour alerter les utilisateurs de la présence d'instructions importantes pour le fonctionnement et l'entretien (service) dans le livret d'instruction accompagnant l'appareil.

This symbol indicates that this product must not be disposed of with other waste. Instead, it is your responsibility to dispose of your waste equipment by handing it over to a designated collection point for the recycling of waste electrical and electronic equipment. The separate collection and recycling of your waste equipment at the time of disposal will help conserve natural resources and ensure that it is recycled in a manner that protects human health and the environment. For more information about where you can drop off your waste equipment for recycling, please contact your local city recycling office or the dealer from whom you purchased the product.

Duration, per day in hours	Sound Level dBA, Slow Response	Typical Example
8	90	Duo in small club
6	92	
4	95	Subway Train
3	97	
2	100	Typical music via head phones
1.5	102	
1	105	Siren at 10 m distance
0.5	110	
0.25 or less	115	Loudest parts at a rock concert

WARNING — To reduce the risk of fire or electric shock, do not expose this apparatus to rain or moisture.

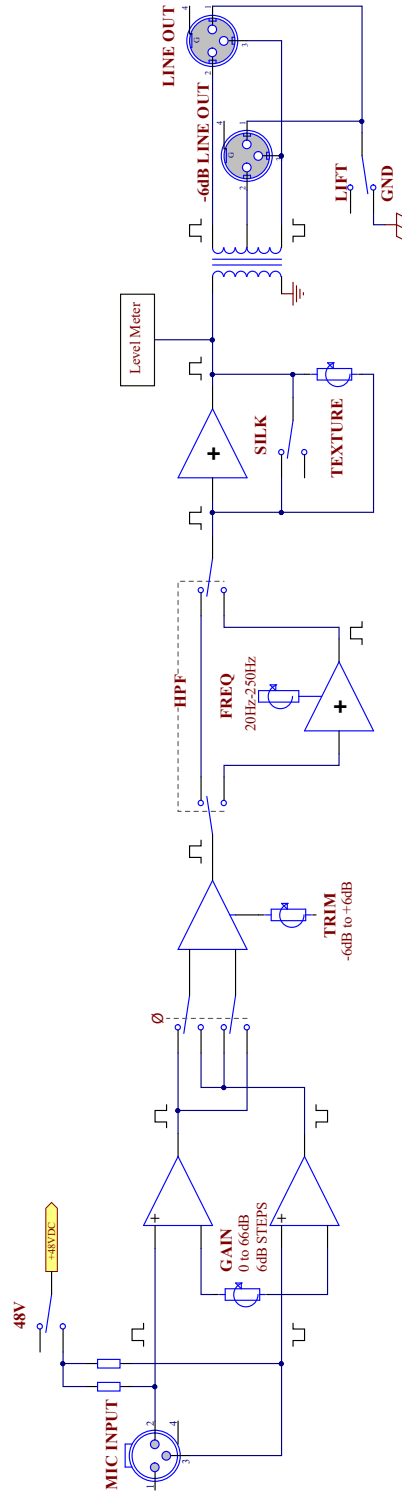
Table of Contents

Introduction	1
Block Diagram	1
5211 Front Panel	2
5211 Rear Panel	3
5211 Features	4
Specifications	6
Limited Warranty	8

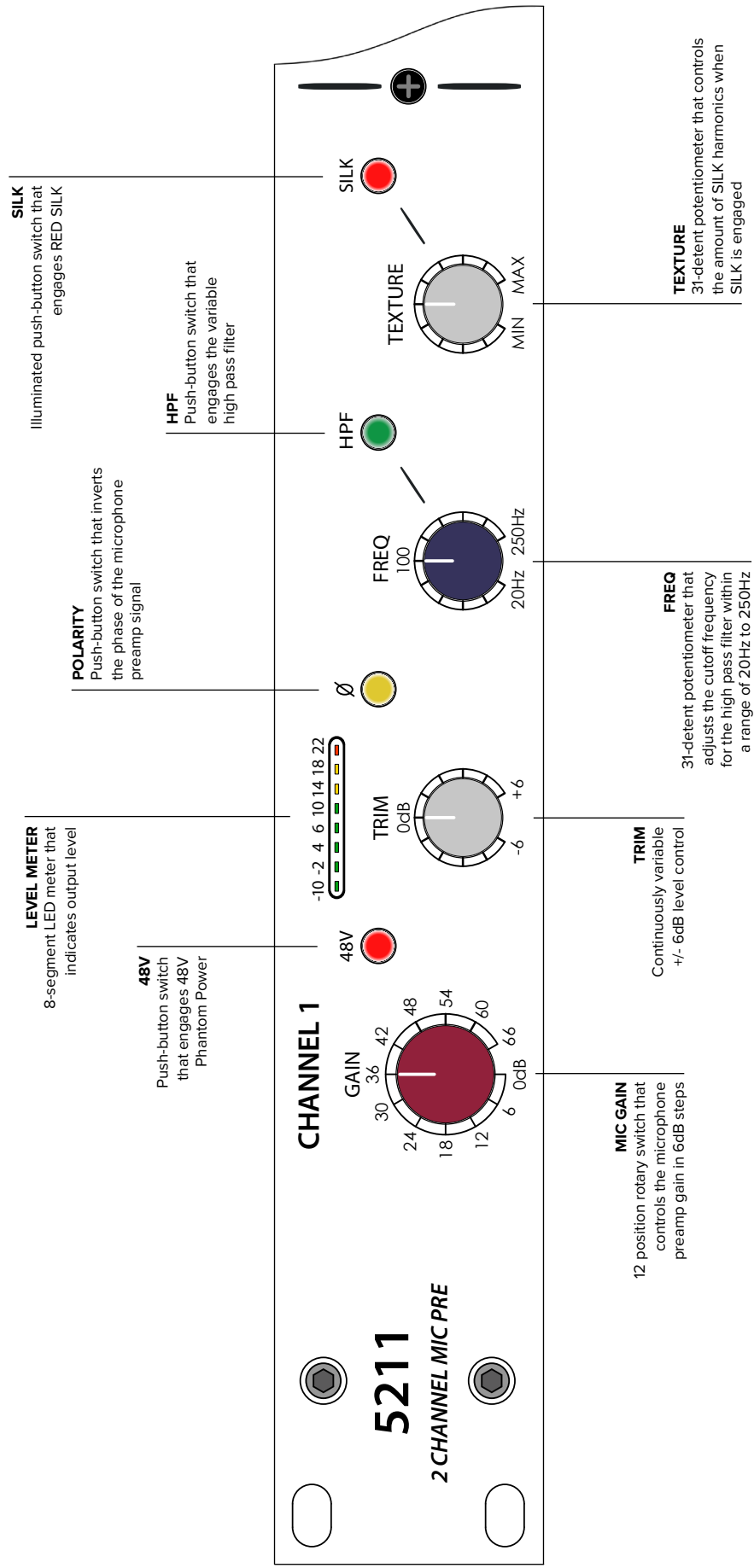
5211 Block Diagram

Rupert Neve Designs 5211

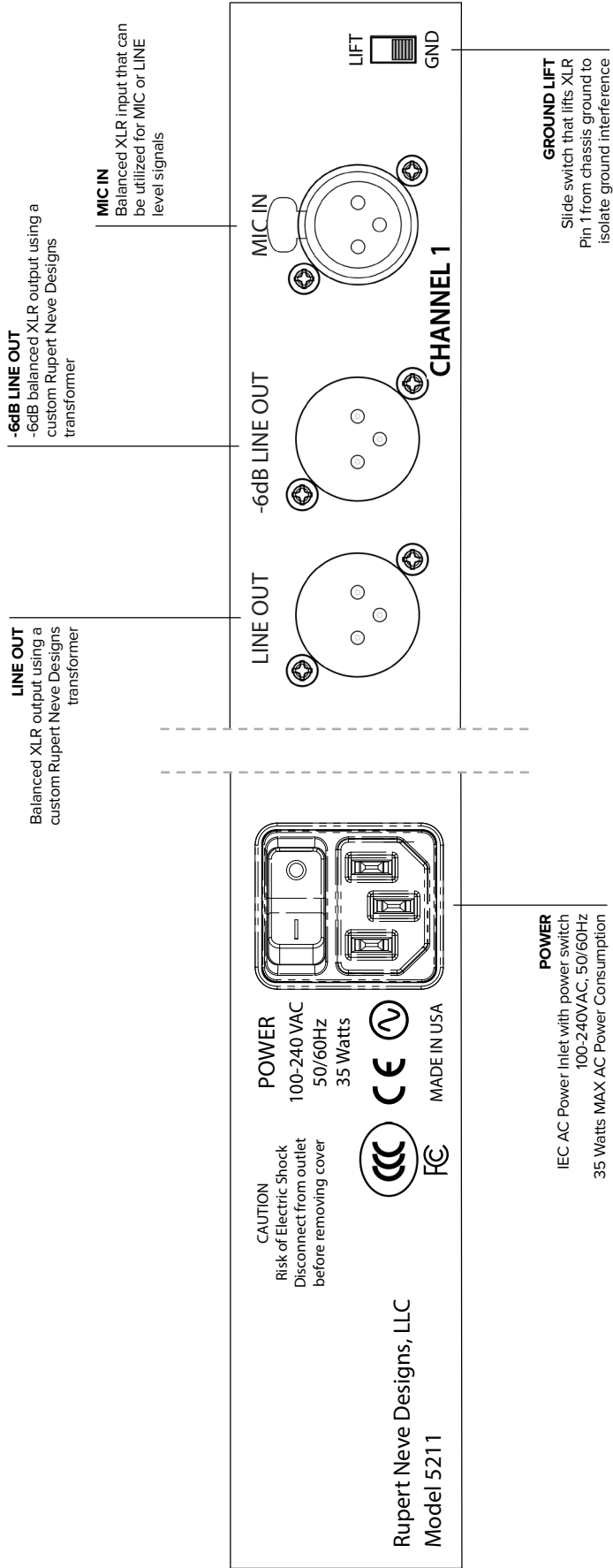
Thank you for purchasing the Rupert Neve Designs 5211 Two Channel Mic Pre. We hope you enjoy using this product as much as we have enjoyed designing and building it. The 5211 features a well-proven, balanced circuit topology carefully refined over many years by the Rupert Neve Designs engineering team. The 5211 includes two familiar sounding Mic Preamps with 72dB of gain, fully variable high pass filters, and our variable RED SILK saturation circuit, which provides flexible control over the amount of harmonic content generated by the custom output transformer on each channel.



5211 Front Panel



5211 Rear Panel



5211 Front Panel Features

MIC GAIN

12-position rotary switch that controls the microphone preamp gain in 6dB steps.

48V

Push-button switch that illuminates RED when +48V Phantom Power is engaged.

LEVEL METER

8-segment LED meter that indicates the output level of each channel.

TRIM

31-detent potentiometer that allows the user to adjust the preamp gain within a range of +/- 6dB.

Ø (Polarity)

Push-button switch that illuminates AMBER when engaged and inverts the phase of the input signal.

FREQ

31-detent potentiometer that allows the user to adjust the cutoff frequency of the variable high pass filter within a range of 20Hz to 250Hz.

HPF

Push-button switch that illuminates GREEN when the variable high pass filter is engaged.

TEXTURE

31-detent potentiometer that controls the amount of SILK harmonics added within the transformer output stage when SILK is engaged.

SILK

Illuminated push-button switch that toggles RED SILK mode ON/OFF. RED SILK enhances harmonic content in high mid and high frequencies.

5211 Rear Panel Features

POWER

IEC AC power inlet with integrated power switch. 100-240VAC at 50/60Hz. 35 Watts maximum AC power consumption.

LINE OUT

Balanced XLR output utilizing a custom Rupert Neve Designs transformer.

-6dB LINE OUT

Balanced XLR output utilizing a secondary, lower level output of a custom Rupert Neve Designs transformer. The -6dB Output and the Main Output can be connected simultaneously to feed two different destinations.

MIC IN

Balanced XLR input that can be utilized for MIC or LINE level signals.

GROUND LIFT

Slide switch that lifts XLR Pin 1 from chassis ground on the LINE OUT and the -6dB LINE OUT to help isolate from ground interference.

5211 Specifications

Note: All measurements typical, all measurements recorded using 25ft. XLR output cables

Input Impedance 8900 Ohms

Maximum Input Level (at 1kHz) +26 dBu

Noise (Un-weighted, 22Hz-22kHz, 150 Ohm input termination)

Line Out (Unity Gain) -104 dBV, -101.9 dBu

-6 dB Line Out (Unity Gain) -109 dBV, -107 dBu

Line Out (+30 dB Gain) -98 dBV, -96 dBu

Line Out (+66 dB Gain) -66 dBV, -64 dBu

Equivalent Input Noise (EIN) -128 dBV, -126 dBu

Frequency Response -0.2 dB at 10 Hz, -2.9 dB at 120 kHz

Maximum Output Level

1 kHz +26.5 dBu

20 Hz to 30 kHz +26 dBu

Total Harmonic Distortion and Noise

1 kHz, +20 dBu O/P level, no load 0.0015%, typical

20 Hz, +20 dBu O/P level, no load less than 0.02%, typical

Total Harmonic Distortion and Noise with SILK Engaged

TEXTURE fully CCW, 100 Hz, +20 dBu O/P level, no load 0.03%, mostly 3rd harmonic

TEXTURE fully CW, 100 Hz, +20 dBu O/P level, no load 1.5%, mostly 2nd harmonic

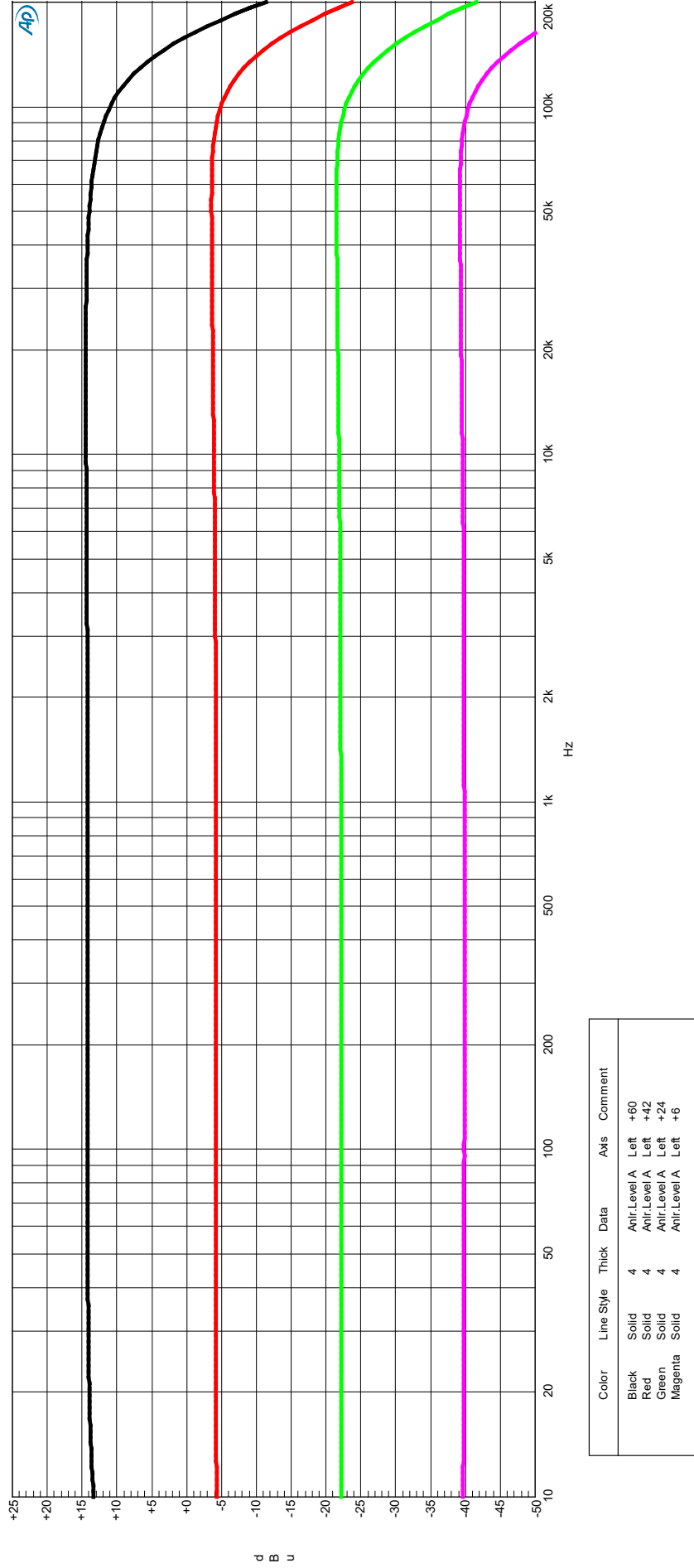
Power Consumption 35 W (Max)

Shipping Weight 11 lbs. (5 kg)

Shipping Dimensions 23" (W) x 15" (D) x 7" (H)
58.4 cm (W) x 38.1 cm (D) x 17.8 cm (H)

5211 Mic Preamp Frequency Response

$Z_{SOURCE} = 150 \text{ ohms}$, -45dBu Input Signal



PRODUCT WARRANTY

Rupert Neve Designs warrants this product to be free from defects in materials and workmanship for a period of three (3) years from date of purchase, and agrees to remedy any defect identified within such three year period by, at our option, repairing or replacing the product.

LIMITATIONS AND EXCLUSIONS

This warranty, and any other express or implied warranty, does not apply to any product which has been improperly installed, subjected to usage for which the product was not designed, misused or abused, damaged during shipping, damaged by any dry cell battery, or which has been altered or modified in any way. This warranty is extended to the original end user purchaser only. A purchase receipt or other satisfactory proof of date of original purchase is required before any warranty service will be performed. THIS EXPRESS, LIMITED WARRANTY IS IN LIEU OF ALL OTHER WARRANTIES, EXPRESS OR IMPLIED, TO THE EXTENT ALLOWED UNDER APPLICABLE STATE LAW. IN NO EVENT SHALL RUPERT NEVE DESIGNS BE LIABLE FOR ANY SPECIAL, INCIDENTAL, OR CONSEQUENTIAL DAMAGES RESULTING FROM THE USE OF THIS PRODUCT. Some states do not allow the exclusion or limitation of consequential damages or limitations on how long an implied warranty lasts, so this exclusion may not apply to you.

WARRANTY SERVICE

If you suspect a defect in this product, please contact our support staff for troubleshooting by phone (512-847-3013) or email (service@rupertneve.com). If it is determined that the device is malfunctioning, we will issue a Return Material Authorization and provide instructions for shipping the device to our service department.



Rupert Neve Designs

PO Box 1969

Wimberley TX 78676

www.rupertneve.com

tel: +1 512-847-3013

fax: +1 512-847-8869

775-00035 Rev B2