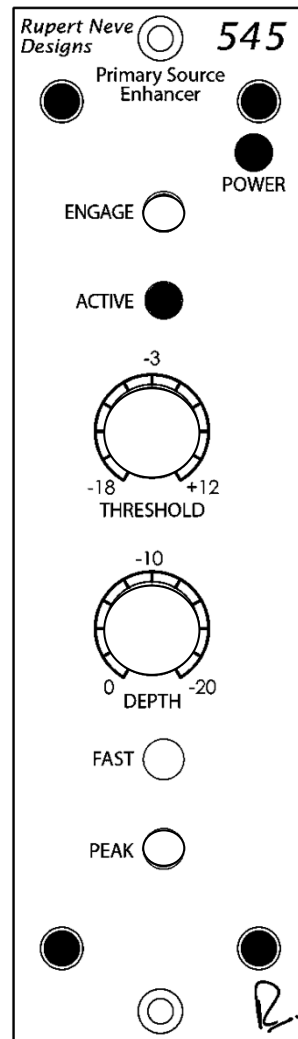
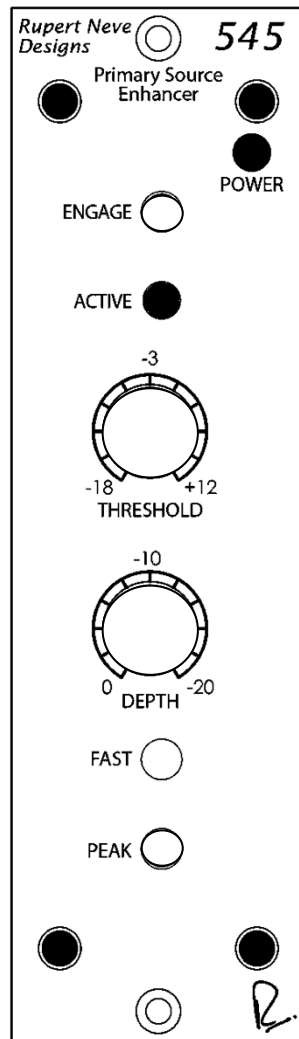
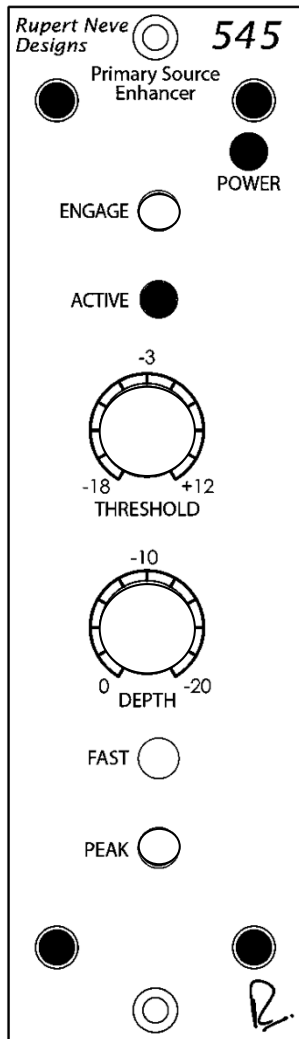
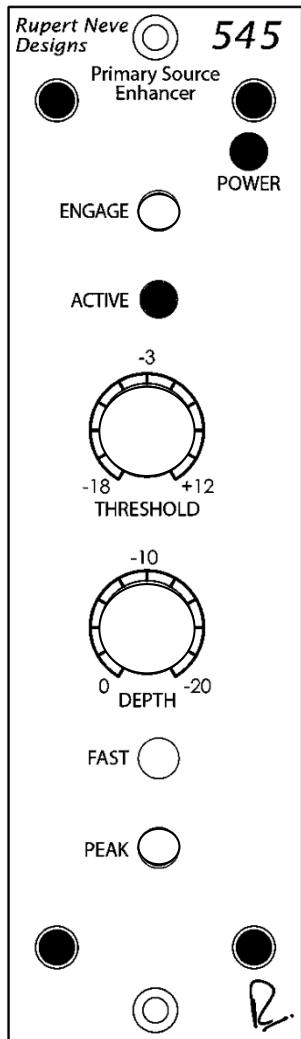


# 545 Recall Sheet



Session: \_\_\_\_\_

Song: \_\_\_\_\_

Date: \_\_\_\_\_

Notes: \_\_\_\_\_

R.